

Techno Metal Frames

**Slip on flanges**  
**Corners**  
**G-Clamp**  
**Gasket**



**TECHNO**  
**METAL**  
S.A.E

تكنوميٲال



FIKRA shk. +202 37628345

Address: Obour city, 1<sup>st</sup> industrial Area, Block 13037, PC.#54

P.O.Box 149, Obour Office 11828

Cairo / Egypt

Tel. / Fax: +202 44891257 44891750

Website: [www.technometal-hvac.com](http://www.technometal-hvac.com)

email: [info@technometal-hvac.com](mailto:info@technometal-hvac.com)

**TECHNO**  
**METAL**  
S.A.E

تكنوميٲال  
ش.م.م

# Techno Metal Frames

Slip on flanges , Corners , G-Clamp & Gasket

## Frame DM 35



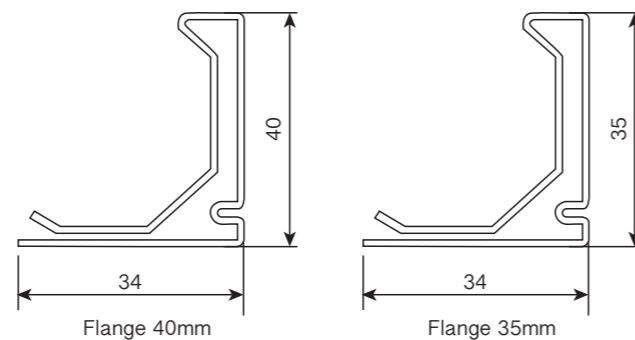
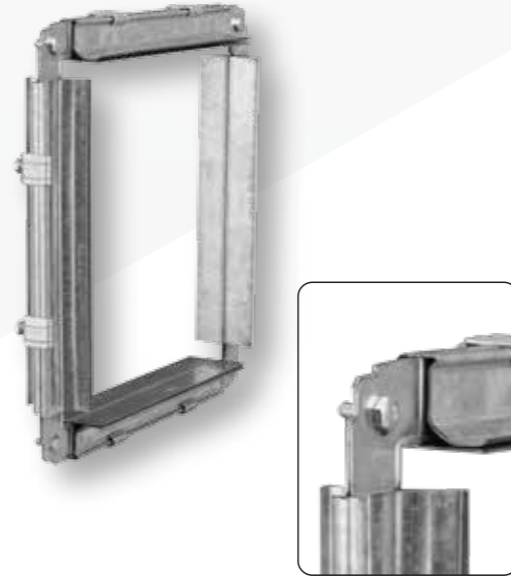
### DM-35 Slip on flange:

Slip on flange is manufactured of roll formed galvanized steel of lockforming quality confirm to ASTM A653 with G90 zine coating and be supplied in gauge 24. DM-35 has been recommended and approved by SMACNA standards.

### DM-40 Slip on flange:

Slip on flange is manufactured of roll formed galvanized steel of lockforming quality confirm to ASTM A653 with G90 zine coating and be supplied in gauge 20. DM-40 has been recommended and approved by SMACNA standards.

## Frame Dm 40



### Corner DM- 35 :

Thickness 2 mm



### Corner DM- 40 :

Thickness 2 mm



### G-Clamp:



### Gasket :

Self-adhesive gasket for HVAC Duct Flange.

### Features:

High resistance to chemical attack & atmosphere changes.  
Good for applications requiring vapor proof & water proof seal.

### Description:

Wherever flanges are used in connecting parts of a duct system, the potential for air leakage exists. Sealing of ductwork can be accomplished with the use of gasket which adhered to flange surfaces. When this material is attached to a flange which is then assembled to a second flange, the material is compressed and fills gaps and irregular surfaces, then creating a good sealing.

### Technical Properties:

**Type:** closed -cell, blend elastomeric foam.

**Color:** black.

**Density:** 55 kg/m<sup>3</sup>.

**Water Absorption:** 10 % max.

**Temperature use:** - 4 °C To 90 °C.

**Max. Flame Spread:** 25

**Max. Smoke Developed:** 50



Product Description	Width	Thickness	Length	Packing
Self-adhesive gasket	25 mm	3.00 mm	10.0 m	60 rolls per carton box 525x525x325 mm
Self-adhesive gasket	25 mm	4.50 mm	10.0 m	48 rolls per carton box 525x525x325 mm
Fire rating : BS 476 part 7 1987 class 1				
Fire propagation : BS 476 part 6 1989 class 0				

**Note:** Other roll width are available on request with MOQ 500 Rolls

### Note:

Slip on Flange DM-25 & corner DM-25 available upon request and it's very suitable and professional to be used as frame for Fan coil units, flexible duct connector instead of slip and drive and other traditional installation methods.

